



Model 26A069

2 M.T. S.W.L. UNI-LIFT



Unique design offers flexibility.

The Cranston *UNI-LIFT* is proven in the shipping industry for use with flat webbing slings up to 1 1/2" (38mm) wide, flat strap, rope, or multiple strand wire.

The Cranston *UNI-LIFT* is manually attached to the load and manually removed. Manual removal is accomplished by squeezing the *UNI-LIFT* handle and latch cable assembly while sliding the hook out from under the lifting strap.

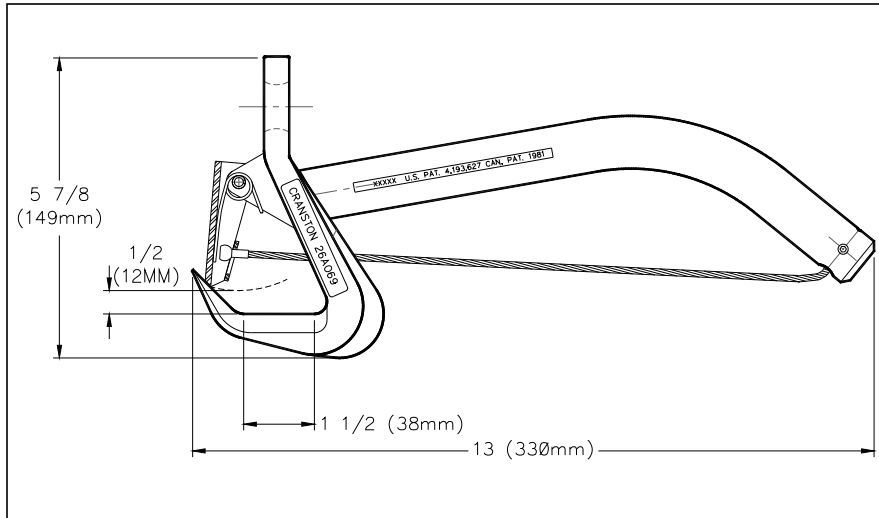
The Cranston *UNI-LIFT* can be used separately or in multiple hook arrangements, under spreader bars or lifting beams.

UNI-LIFT Features

- Large throat for easy loading.
- Simple to operate and maintain.
- Proven rugged versatile design.
- Designed to 5:1 safety factor.
- Corrosion resistant construction
- Factory load tested and certified.



Cranston *UNI-LIFT* hooks shown in a typical operation with a spreader bar.



Requirements:

- Manual operation

Patents:

USA – 4193627
CANADA – 1981

Specifications:

- Size: 5 7/8" (149mm) height x 13" (330mm) long x 3" (76mm) wide.
- Weight: 5 lbs. (2.27 kg)
- Finish: corrosion resistant materials
- Throat width: 1 1/2" (38mm)
- Throat height: 1/2 (12mm)
- Safety factor: 5 :1
- Safe working load: 4410 lbs. (2mt).

Alternate models



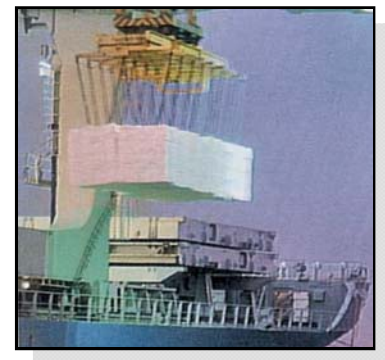
UNI-HOOK
3MT Swivel Cap
Model 26A087



WEB-LATCH
5MT
Model 26A081



WEB-LATCH
10MT
Model 26A083



Upgrade kits or Complete Custom
Designed Lifting Frames.

FOR FURTHER DETAILS CONTACT:

Cranston Machinery Co., Inc.

2251 SE Oak Grove Blvd., Oak Grove, OR. 97267

Phone: 503-654-7751 Fax: 503-654-6172

www.cranston-machinery.com



All products and services are covered by Cranston standard terms and conditions, including Limits of liability and warrantee effective at the time of sale. Available upon request.

Brochure # L027 090625