



Bulletin No:
UNIHOOK™ Model:
Issued: 211129

L044
26A096

Introduction:

The Cranston UNIHOOK™ is a very robust, marine grade, lifting device, designed to provide remote release of a pre-slung load.

The user must assemble the UNIHOOK™ to a properly rated chain assembly and plumb to a pressurized, regulated air or nitrogen supply.

During attachment to a lifting sling (multiple wire strands, wire ropes, slings, rings, etc.), the pivoting hook is manually cocked in the locked position.

To unlatch the pivoting hook from the locked position, the load must be removed from the hook before the pneumatic supply is applied. For relocating slings, or other similar light load applications (up to 23Kg/50#), the pivoting hook can be released.

Limitation of Liability. Rigging, conditions of use, and maintenance of cargo handling gear is outside of Cranston Machinery Control. The user, therefore, must evaluate each application under the condition of use and the safety factor pertinent to the appropriate industry, to determine the safe application of the Cranston Machinery UNIHOOK™

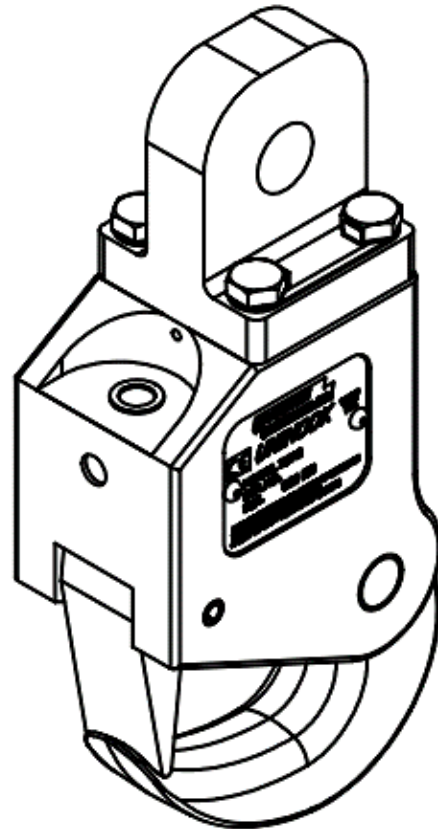
ATTENTION- All owners, users and technicians should review Cranston Specification CS005 prior to operation or servicing of this UNIHOOK™. CS005 is available thru the adjacent QR code and Cranston's website. CS005 includes detail on use, maintenance, and warranty

WARNING- It is imperative that the pressurized pneumatic supply does not exceed .28MPa / 40PSI.

NOTE- Cranston Machinery would be pleased to consider any special requirements you may have. Cranston Machinery designs and manufactures custom tools, lift beams and automated equipment.

Specifications:

- Safe Working Load: 3 Metric Tonnes
- Design Safety factor: 4 x SWL
- Certified Testing for each UNIHOOK™: 2 x SWL
- Operating Temperature: -35°C - +175°C
- Typical Weight: 5kg / 11#
- Guidelines for Maintenance, Use and Care: **CS005**
- Top Cap Features: **Fixed**
- Pivoting hook Material choice: **Corrosion Resistant**
- CE Compliance: Yes
- Tested for Underwater release: Yes



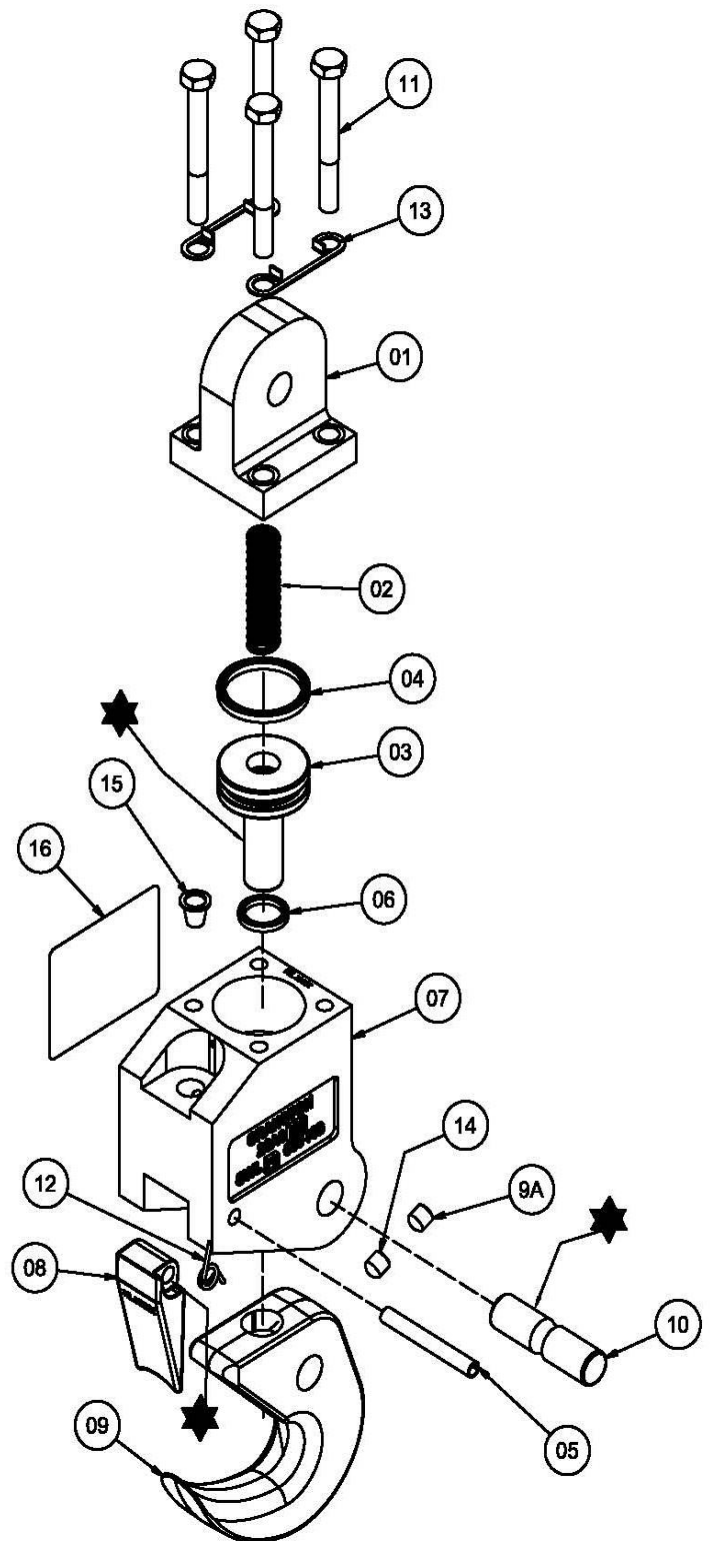
Link to: CS005,
Guidelines for cargo
lifting with Cranston
UNIHOOKS™



Item / Qty / Part No. / Description

01	1	CA4997002	Top cap
02	1	AA4465000	Spring
03	1	CA3139000	Piston
04	1	M57000002	● U-Cup seal
05	1	M69100002	● Latch pin
06	1	M57000001	● U-Cup seal
07	1	CB6509000	Body
7A	1	M53100102	PLUG, 1/4"NPT
08	1	BB6654000	Latch
09	1	CB4425000	Hook
9A	1	M30100013	Set screw
10	1	AA7842000	Hook pin
11	4	M30600006	● Tie bolt
12	1	AA4197000	Latch spring
13	2	BB8401000	● Bolt Locking Tab
14	1	M30100013	Jam set screw
15	1	-----	Tapered plug
16	1	AA5909000	Caution sticker

● Recommended spare



Warning- Only use #M30600006 Bolts. They are special high strength bolts. Do not substitute any other hex head bolts.

ATTENTION- Cranston assembles each hook using a NLGI #2, marine grade, calcium sulfonate base grease (Example: Lucas Marine Grease) which seals out water and inhibits corrosion. Any substitution must be NLGI #2, have a washout rating of less than 3% (typically Calcium Sulfonate or polymerized PTFE), and a viscosity of 120-220 cSt. Ensure grease not applied to threaded areas.

Stars in diagram indicate lubrication points



Product description and specification is subject to change without notice. All products and services are covered by Cranston standard terms and conditions, including limits of liability and warrantee effective at the time of sale. Available upon request.

© Cranston Machinery Co., Inc.



For Further Details, Contact:

Cranston Machinery Co., Inc.
 2251 SE Oak Grove Blvd.
 Oak Grove, OR. 97267
 Phone: 503-654-7751
www.cranston-machinery.com